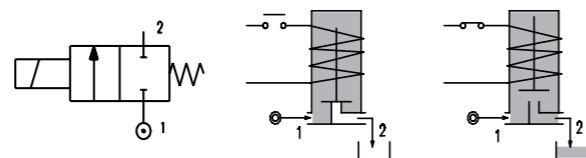
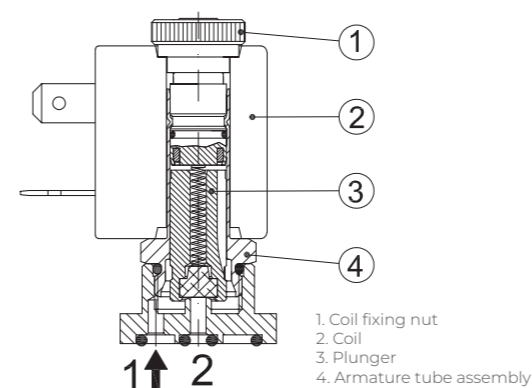


SERIES 112

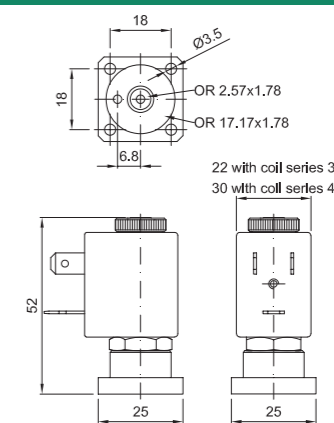
Solenoid Valve 2-way Normally Closed direct acting poppet type - Flange fixing.



SPARE PARTS LIST



OVERALL DIMENSION



CONSTRUCTION

BODY	Brass
ARMATURE TUBE	Brass
PLUNGER AND CORE	AISI 430FR
SPRINGS	AISI 302
SEAL MATERIAL	NBR - FPM - EPDM

FEATURES

Maximum allowable pressure PS 50bar ^③
Maximum fluid viscosity 25cSt (mm ² /s)
Ambient temperature: from -10°C to +80°C according to the coil
Universal mounting position

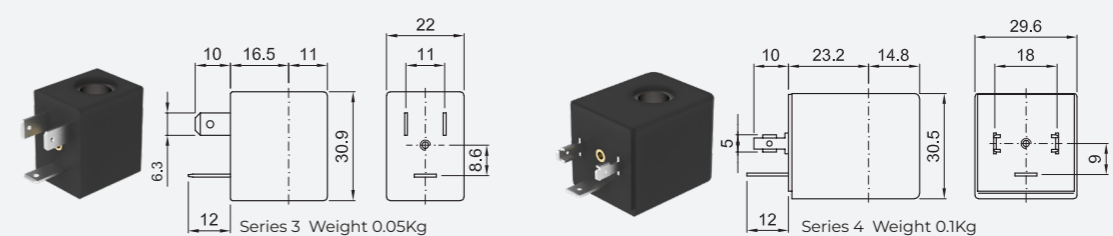
ON REQUEST: Versions for use with fluid temperature at -40°C

CODE ① ②	FLANGE Ø 25	ORIFICE [mm]	KV m ³ /h	DIFFERENTIAL PRESSURE [bar]		NOMINAL POWER			COIL		SEAL ①	TEMP. RANGE [°C]	
				MIN.	MAX.	AC	VA	DC	SERIES	WIDTH			
E112X...12///...	Ø 25	1.2	0.04	0	25	25	12	8	6.5	3	22	NBR=B	-10 +90
E112X...15///...		1.5	0.06	0	16	16							
E112X...20///...		2	0.09	0	12	10							
E112X...25///...	Ø 25	2.5	0.14	0	8	5.5	15	11	5	4	30	EPDM=E	-10 +140
E112X...20///...		2	0.09	0	25	15							
E112X...25///...		2.5	0.14	0	16	8							

OPTIONS

Stainless steel armature tube
Electroless nickel plating
Series 7 explosion proof coil according to ATEX - EExmII
UL certified coils

COILS ②	ALTERNATING CURRENT 50/60Hz (V)								DIRECT CURRENT (V)			ELECTRICAL CONNECTION	CONNECTORS					
	12	24	48	110	120	220 230	240	380	12	24	48							
Series 3 Width 22	30A	30B	U35B UL	30C	30D	U35D UL	30E	V32E UL	30F	U35F UL	30G	300	U350 UL	301	U351 UL	302	DIN 46244	PG9 CODE 10348000
Series 4 Width 30	40A	40B	-	40C	40D	-	40E	-	40F	-	40G	400	U450 UL	401	U451 UL	402	DIN 43650A	PG9 CODE 10349000



DESCRIPTION
Class F insulation
Voltage tolerance
AC +15% -10%
DC ± 10%
Protection class
IP65 with connector fitted
IP00 without connector
Continuous service ED100%

OPTIONS
Class H insulation
Cable attached
Special coil voltage
Special coil powers
UL certified coils
(for coil details see section 8)

① Seal
② Coil
③ The maximum allowable pressure PS for steam is 2,5bar (gauge pressure)
Example: E105AB20///30B NBR seal
Coil 24V 50/60Hz