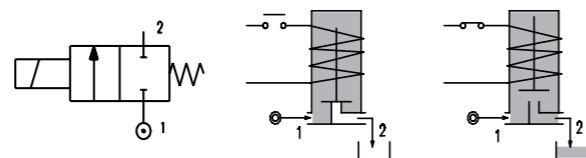
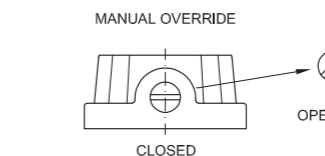
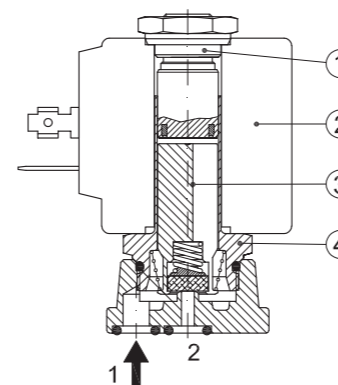


SERIES 114

Solenoid Valve 2-way Normally Closed direct acting poppet type - Flange fixing.

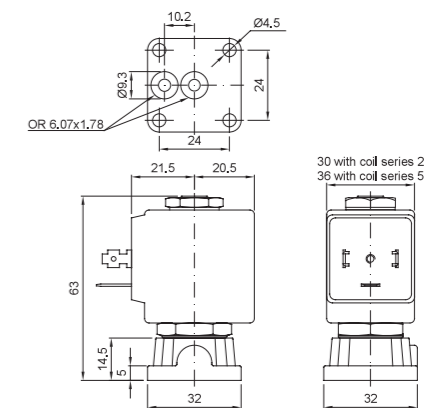


SPARE PARTS LIST



- 1. Coil fixing nut
- 2. Coil
- 3. Plunger
- 4. Armature tube assembly

OVERALL DIMENSION



CONSTRUCTION

BODY	Brass
ARMATURE TUBE	AISI 303
PLUNGER AND CORE	AISI 430FR
SPRINGS	AISI 302
SEAL MATERIAL	NBR - FPM - EPDM - PTFE

FEATURES

Maximum allowable pressure PS 100bar [ⓐ]
Maximum fluid viscosity 25cSt (mm ² /s)
Ambient temperature: from -10°C to +80°C according to the coil
Universal mounting position

ON REQUEST: Versions for use with fluid temperature at -40°C

CODE ① ②	FLANGE □ 32	ORIFICE [mm]	KV m ³ /h	DIFFERENTIAL PRESSURE [bar]		NOMINAL POWER			COIL		SEAL ②	TEMP. RANGE [°C]	
				MIN.	MAX.	AC INRUSH	VA HOLDING	DC WATT	SERIES	WIDTH			
													AC
E114X...10///...	□ 32	1	0.04	0	80	80	20	15	10	2	30	NBR=B	-10 +90
E114X...12///...		1.2	0.05	0	60	60							
E114X...15///...		1.5	0.07	0	30	26							
E114X...20///...		2	0.1	0	22	20							
E114X...25///...		2.5	0.15	0	16	14							
E114X...30///...		3	0.25	0	15	10							
E114X...35///...		3.5	0.32	0	10	8							
E114X...40///...		4	0.36	0	8	5							
E114X...45///...		4.5	0.41	0	6.5	3.5							
E114X...10///...		□ 32	1	0.04	0	100							
E114X...12///...	1.2		0.05	0	100	100							
E114X...15///...	1.5		0.07	0	80	80							
E114X...20///...	2		0.1	0	50	40							
E114X...25///...	2.5		0.15	0	35	33							
E114X...30///...	3		0.25	0	25	24							
E114X...35///...	3.5		0.32	0	20	19							
E114X...40///...	4		0.36	0	16	15							
E114X...45///...	4.5		0.41	0	14	13							

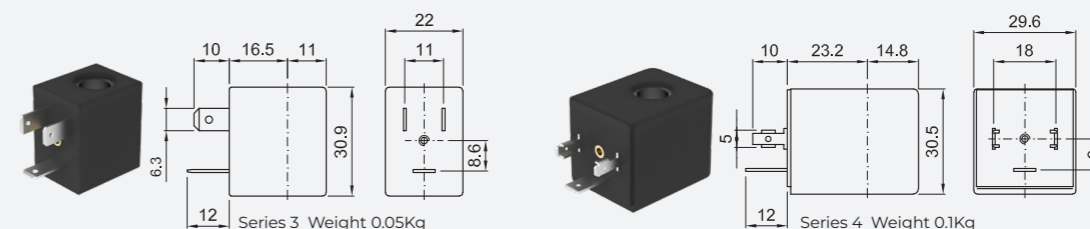
Example: E114XB25///20E NBR seals
Coil 230V 50/60Hz

- ① Seal
- ② Coil
- ⓐ Maximum allowable leakage <0.2Nl/h
- ⓑ The maximum allowable pressure PS for steam is 9bar (gauge pressure) with PTFE seals and 2,5bar with EPDM seals

OPTIONS

Manual override
Electroless nickel plating
Stainless steel seat insert
Versions for use with industrial oxygen
UL certified coils

COILS ③	ALTERNATING CURRENT 50/60Hz (V)								DIRECT CURRENT (V)			ELECTRICAL CONNECTION	CONNECTORS				
	12	24	48	110	120	220 230	240	380	12	24	48						
Series 2 Width 30	20A	20B	U25B	20C	20D	U25D	20E	20F	U25F	20G	200	U250	201	U251	202	DIN 43650A	PG9 CODE 10349000
Series 5 Width 36	52A	52B	U55B	52C	52D	U55D	52E	52F	U55F	52G	520	U550	521	U551	522	DIN 43650A	PG9 CODE 10349001



DESCRIPTION

Insulation class
Series 2 =F Series 5=H
Voltage tolerance
AC +15% -10%
DC ±10%
Protection class
IP65 with connector fitted
IP00 without connector

OPTIONS

Class H insulation (series 2)
Cable attached
Special coil voltage
Special coil powers
UL certified coils
(for coil details see section 8)