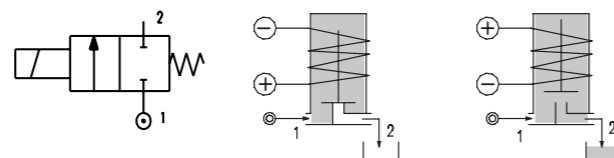
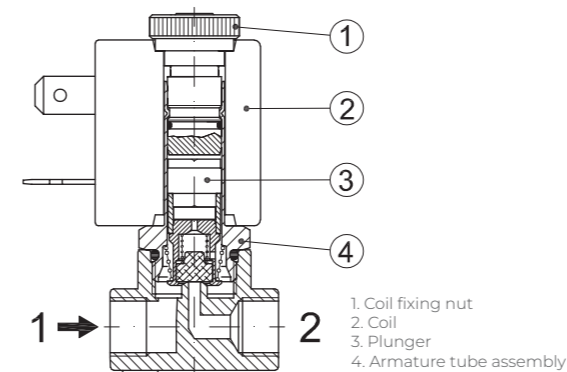


SERIES 115

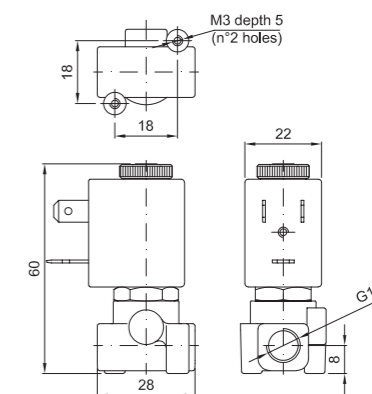
Solenoid valve 2 way direct acting poppet type.
Bi-stable impulse drive.
The bi-stable function is achieved by the use of a polarized permanent magnet energizing the coil with a DC current for at least 15ms in the reverse direction of the preceding impulse.



SPARE PARTS LIST



OVERALL DIMENSION



CONSTRUCTION

BODY	Brass
ARMATURE TUBE	AISI 303
PLUNGER AND CORE	AISI 430FR
MAGNET	NeFeB
SPRINGS	AISI 302
SEAL MATERIAL	NBR - FPM - EPDM

FEATURES

Maximum allowable pressure PS 50bar
Maximum fluid viscosity 25cSt (mm ² /s)
Ambient temperature: from -10°C to +80°C according to the coil
Universal mounting position

CODE ① ②	CONNECTION G ISO 228	ORIFICE [mm]	KV	DIFFERENTIAL PRESSURE [bar]		NOMINAL POWER DC WATT	COIL		SEAL ①	TEMP. RANGE °C
				MIN	MAX		SERIES	WIDTH		
D115A...12///...	1/8"	1.2	0.04	0	12	2	3	22	NBR=B	-10 +90
D115A...15///...	1/8"	1.5	0.06	0	8	2				
		1.5	0.06	0	20	5				
D115A...20///...	1/8"	2	0.09	0	3	2				
		2	0.09	0	12	5				
	1/8"	2.5	0.14	0	1	2				
D115A...25///...		2.5	0.14	0	5	5				
	1/8"	2.5	0.14	0	8	6.5			FPM=V	-10 +120
D115A...31///...		3.1	0.19	0	2	5				
	1/8"	3.1	0.19	0	3.5	6.5				

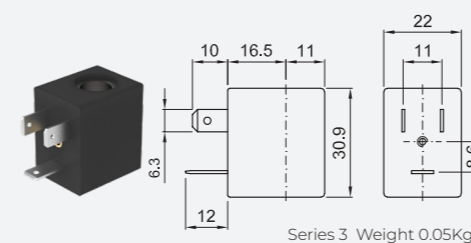
Example: D115AB20///300120 NBR seal
Coil 12V DC 2W

① Seal
② Coil

OPTIONS

Stainless steel armature tube
Electroless nickel plating
Series 7 explosion proof coil according to ATEX - EExmII
Special powers

COILS ②	DIRECT CURRENT												ELECTRICAL CONNECTIONS	CONNECTORS			
	3V			6V			9V			12V					24V		
	2W	5W	6.5W	2W	5W	6.5W	2W	5W	6.5W	2W	5W	6.5W			2W	5W	6.5W
Series 2 Width 30	308120			305120	305150		307120	307150		300120	300150	300	301120	301150	301	DIN 46244	PG9 code 10348000



DESCRIPTION
Class F insulation
Voltage tolerance ± 10%
Protection class
IP65 with connector fitted
IP00 without connector
Continuous service ED100%

OPTIONS
Class H insulation
Cable attached
Special coil voltage
Special coil powers
UL certified coils
(for coil details see section 8)