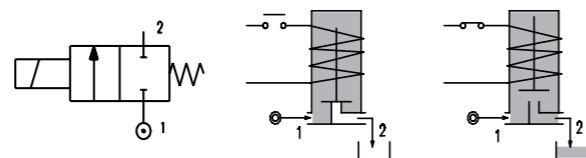
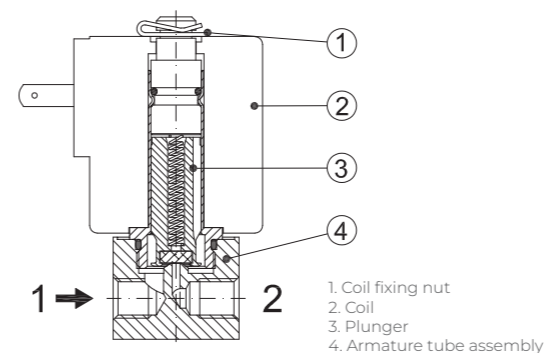


# SERIES 121

Solenoid Valve 2-way Normally Closed direct acting poppet type.

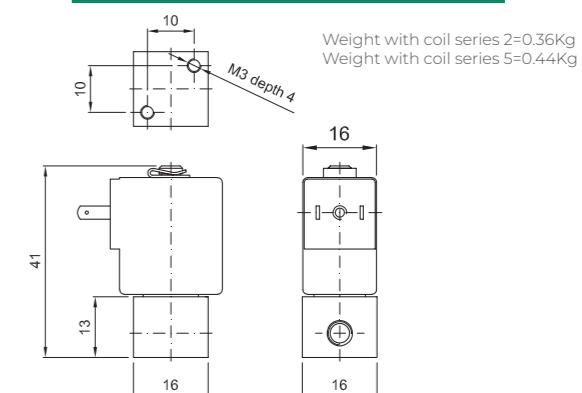


### SPARE PARTS LIST



Data in brackets are referred to coil series 4

### OVERALL DIMENSION



### CONSTRUCTION

BODY	Brass
ARMATURE TUBE	Brass
PLUNGER AND CORE	AISI 430FR
SPRINGS	AISI 302
SEAL MATERIAL	NBR - FPM

### FEATURES

Maximum allowable pressure PS 30bar <sup>①</sup>
Maximum fluid viscosity 25cSt (mm <sup>2</sup> /s)
Ambient temperature: from -10°C to +55°C
Universal mounting position

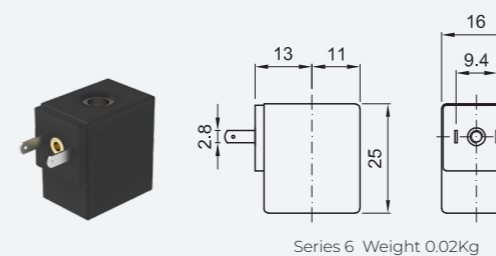
CODE ① ②	CONNECTION G ISO 228	ORIFICE [mm]	KV m <sup>3</sup> /h	DIFFERENTIAL PRESSURE [bar]		NOMINAL POWER			COIL		SEAL ①	TEMP. RANGE [°C]	
				MIN.	MAX.	AC	VA	DC	SERIES	WIDTH			
D121L...10///...	MS	1	0.03	0	-	10	-	-	2	6	16	NBR=B	-10 +90
D121L...12///...		1.2	0.037	0	-	7	-	-	2				
D121L...12///...		1.2	0.037	0	-	12	-	-	4				
D121L...16///...		1.6	0.055	0	-	3	-	-	2				
D121L...16///...		1.6	0.055	0	-	8	-	-	4			FPM=V	-10 +140
D121L...20///...		2	0.082	0	-	1.4	-	-	2				
D121L...20///...		2	0.082	0	-	4	-	-	4				

### OPTIONS

Electroless nickel plating

ON REQUEST: Versions for use with fluid temperature at -40°C

COILS ③	DIRECT CURRENT				ELECTRICAL CONNECTION	CONNECTORS
	12V		24V			
Series 6 Width 16	2W	4W	2W	4W	AMP 2.8x0.5	PG7 code 10348040



**DESCRIPTION**  
Class F insulation  
Voltage tolerance ± 5%  
Protection class IP65 with connector fitted  
IP00 without connector  
Continuous service ED100%

**OPTIONS**  
Cable attached  
Special coil voltage  
Special coil powers  
(for coil details see section 8)

① Connection: B=1/4", C=3/8", D=1/2"  
② Seal  
③ Coil  
④ Maximum allowable leakage <0.2NI/h  
⑤ The maximum allowable pressure PS for steam is 9bar (gauge pressure) with PTFE seals and 2.5bar with EPDM seals

Example: E110BE35///20E EPDM seal, connections G1/4"  
Coil 230V 50/60Hz