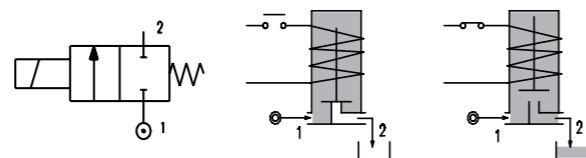
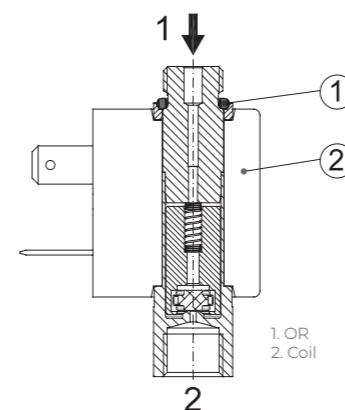


SERIES 130

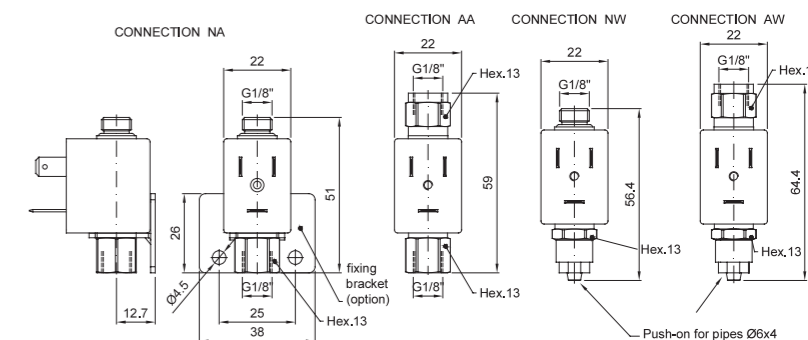
Solenoid valve in line normally closed direct acting poppet type.



SPARE PARTS LIST



OVERALL DIMENSION



CONSTRUCTION

BODY	AISI 303
ARMATURE TUBE	AISI 303
PLUNGER AND CORE	AISI 430FR
SPRINGS	AISI 302
SEAL MATERIAL	NBR - FPM - EPDM

FEATURES

Maximum allowable pressure PS 80bar
Maximum fluid viscosity 25cSt (mm ² /s)
Ambient temperature: from -10°C to +80°C according to the coil
Universal mounting position

CONFIGURATIONS

G1/8" MALE - PUSH-ON FOR PIPES Ø6x4	G1/8" MALE - G1/8" FEMALE	G1/8" FEMALE - PUSH-ON FOR PIPES Ø6x4	G1/8" FEMALE - G1/8" FEMALE	PUSH-ON/PUSH-ON FOR PIPES Ø6x4	PUSH-ON/PUSH-ON FOR PIPES Ø6x4 WITH CHECK VALVES WW.../2	G1/4" M - G1/4" F
NW	NA	AW	AA	WW		TB

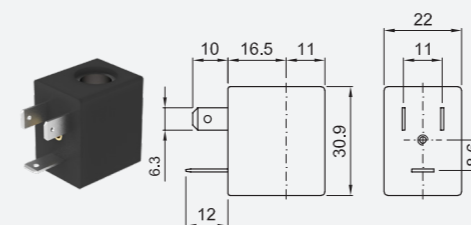
CODE ①②③	ORIFICE [mm]	KV m ³ /h	DIFFERENTIAL PRESSURE [bar]		ELECTRICAL DATA		COIL		SEAL ②	TEMP. RANGE [°C]	
			MIN.	MAX.	VOLTAGE (V)	POWER	SERIES	WIDTH			
D130... ..10/...	1	0.03	0	-	8.5	12-24V DC	2 W	3	22	NBR=B	-10 +90
D130... ..12/...	1.2	0.04	0	-	6						
D130... ..15/...	1.5	0.06	0	-	4						
E130... ..10/...	1	0.03	0	50	-	230V 50/60Hz	3.5 VA	3	22	FPM=V	-10 +140
E130... ..12/...	1.2	0.04	0	40	-						
E130... ..15/...	1.5	0.06	0	25	-						
E130... ..10/...	1	0.03	0	50	50	All standard voltages	6.5W or 8VA	3	22	EPDM=E	-10 +140
E130... ..12/...	1.2	0.04	0	50	50						
E130... ..15/...	1.5	0.06	0	50	50						

OPTIONS

Mounting bracket
Versions for use with industrial oxygen
Special coil powers
UL certified coils

COILS ③	ALTERNATING CURRENT 50/60Hz (V)						DIRECT CURRENT (V)			ELECTRICAL CONNECTION	CONNECTORS	
	12	24	48	110	220 230	240 380	12	24	48			
Series 3 Width 22 6.5W or 8VA	30A	30B U35B UL US	30C	30D U35D UL US	30E	30F U35F UL US	30G	300	301	302	DIN 46244	PG9 CODE 10348000

COILS ③	ALTERNATING CURRENT 50/60Hz (V)		DIRECT CURRENT (V)		ELECTRICAL CONNECTION	CONNECTORS
	220-230		12	24		
Series 3 Width 22 2W or 3.5VA	30E1P		300I20	301I20	DIN 46244	PG9 CODE 10348000



DESCRIPTION
Class F insulation
Voltage tolerance
AC ±15% -10%
DC ±10%
Protection class
IP65 with connector fitted
IP00 without connector
Continuous service ED100%

OPTIONS
Cable attached
Special coil voltage
Special coil powers

(for coil details see section 8)

- ① Configurations
- ② Seal
- ③ Coil

Example: E130NWB10//301 - G1/8" male - Push-on connections
NBR seals - 24V DC 6.5W