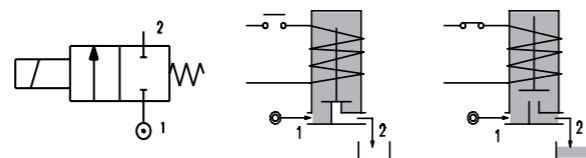
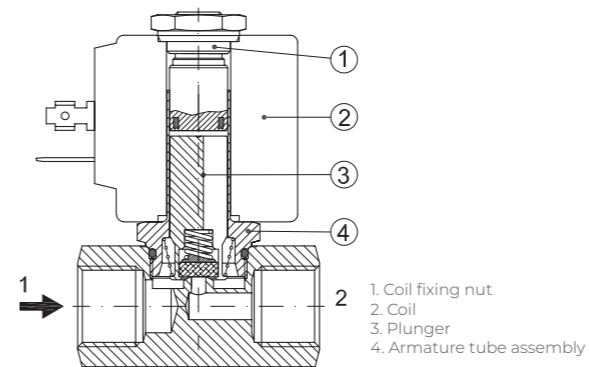


SERIES 170

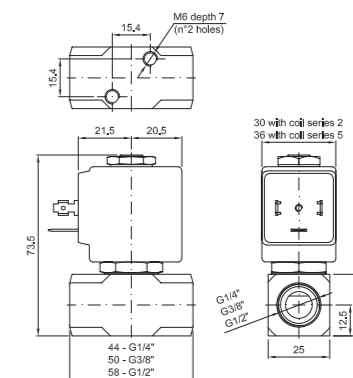
Solenoid valve 2 way normally closed in stainless steel AISI 316 direct acting poppet type



SPARE PARTS LIST



OVERALL DIMENSION



CONSTRUCTION

BODY	AISI 316
ARMATURE TUBE	AISI 316
PLUNGER AND CORE	AISI 430FR
SHADING RING	Silver
SPRINGS	AISI 316
SEAL MATERIAL	NBR - FPM - EPDM - PTFE - FFKM (Kalrez)

FEATURES

Maximum allowable pressure PS 100bar [Ⓞ]
Maximum fluid viscosity 25cSt (mm ² /s)
Ambient temperature: from -10°C to +80°C according to the coil
Universal mounting position

CODE ①②③	CONNECTION G ISO 228	ORIFICE [mm]	KV m ³ /h	DIFFERENTIAL PRESSURE [bar]		NOMINAL POWER			COIL		SEAL ②	TEMP. RANGE [°C]				
				MIN.	MAX.	AC INRUSH	VA HOLDING	DC WATT	SERIES	WIDTH						
													AC	DC		
E170...10///...	1/4"	1	0.04	0	80	80	20	15	10	2	30	NBR=B	-10 +90			
E170...12///...		1.2	0.05	0	60	60										
E170...15///...		1.5	0.07	0	30	26										
E170...20///...		2	0.1	0	22	20										
E170...25///...		3/8"	2.5	0.15	0	16								14		
E170...30///...		1/2"	3	0.25	0	15								10		
E170...35///...		3.5	0.32	0	10	8										
E170...40///...		4	0.36	0	8	5										
E170...45///...	4.5	0.41	0	6.5	3.5	EPDM=E	-10 +140									
E170...10///...	1/4"	1	0.04	0	100			100	40	30	27	5	36	PTFE=W	-10 +180	
E170...12///...		1.2	0.05	0	100			100								
E170...15///...		1.5	0.07	0	80			80								
E170...20///...		2	0.1	0	50			40								
E170...25///...		3/8"	2.5	0.15	0			35								33
E170...30///...		1/2"	3	0.25	0			25								24
E170...35///...		3.5	0.32	0	20			19								
E170...40///...		4	0.36	0	16	15	FFKM=K	-10 +180								
E170...45///...	4.5	0.41	0	10	9											

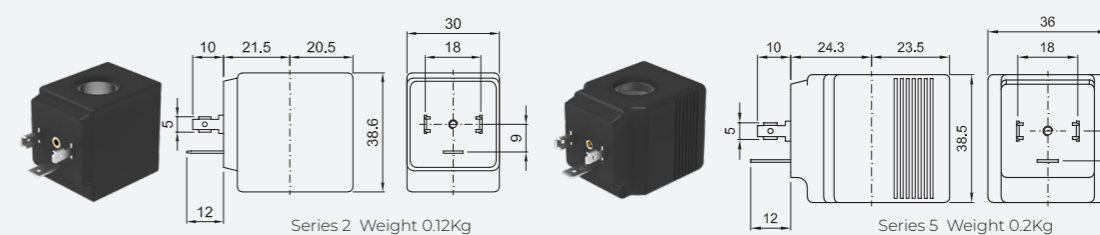
① Connection: B=1/4", C=3/8", D=1/2"
 ② Seal
 ③ Coil
 ④ Max allowable leakage <0.2NI/h
 ⑤ The maximum allowable pressure PS for steam is 9bar (gauge pressure) with PTFE seals and 2,5bar with EPDM seals

Example: E170BE35///20E EPDM seal
 Coil 230V 50/60Hz

OPTIONS

UL certified coils

COILS ③	ALTERNATING CURRENT 50/60Hz (V)								DIRECT CURRENT (V)			ELECTRICAL CONNECTION	CONNECTORS				
	12	24	48	110	120	220 230	240	380	12	24	48						
Series 2 Width 30	20A	20B	U25B UL	20C	20D	U25D UL	20E	20F	U25F UL	20G	200	U250 UL	201	U251 UL	202	DIN 43650A	PG9 CODE 10349000
Series 5 Width 36	52A	52B	U55B UL	52C	52D	U55D UL	52E	52F	U55F UL	52G	520	U550 UL	521	U551 UL	522	DIN 43650A	PG9 CODE 10349001



DESCRIPTION

Insulation class
 Series 2 =F Series 5=H
 Voltage tolerance
 AC +15% -10%
 DC ± 10%
 Protection class
 IP65 with connector fitted
 IP00 without connector

OPTIONS

Class H insulation (series 2)
 Cable attached
 Special coil voltage
 Special coil powers
 UL certified coils
 (for coil details see section 8)