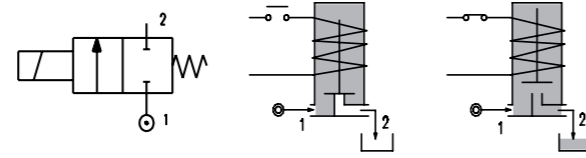
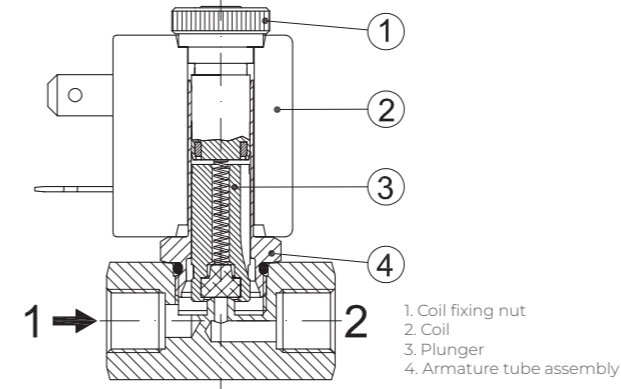


# SERIES 171

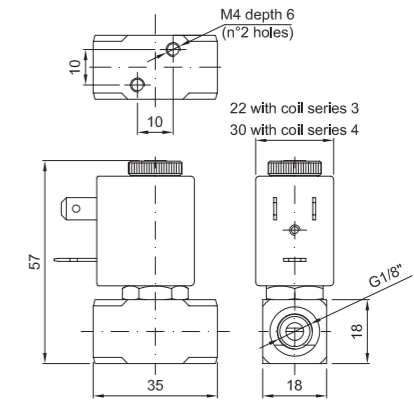
Solenoid valve 2 way normally closed in stainless steel AISI 316 direct acting poppet type



## SPARE PARTS LIST



## OVERALL DIMENSION



## CONSTRUCTION

BODY	AISI 316
ARMATURE TUBE	AISI 316
PLUNGER AND CORE	AISI 430FR
SHADING RING	Silver
SPRINGS	AISI 316
SEAL MATERIAL	NBR - FPM - EPDM

## FEATURES

Maximum allowable pressure PS 50bar <sup>①</sup>
Maximum fluid viscosity 25cSt (mm <sup>2</sup> /s)
Ambient temperature: from -10°C to +80°C according to the coil
Universal mounting position

ON REQUEST: Versions for use with fluid temperature at -40°C

CODE ① ②	CONNECTION G ISO 228	ORIFICE [mm]	KV m <sup>3</sup> /h	DIFFERENTIAL PRESSURE [bar]		NOMINAL POWER			COIL		SEAL ①	TEMP. RANGE [°C]	
				MIN.	MAX.	AC	VA	DC	SERIES	WIDTH			
													AC
E171A...12///...	1/8"	1.2	0.04	0	25	25	12	8	6.5	3	22	NBR=B	-10 +90
E171A...15///...		1.5	0.06	0	16	16							
E171A...20///...		2	0.09	0	12	10							
E171A...25///...		2.5	0.14	0	8	5.5							
E171A...31///...	1/8"	3.1	0.19	0	5	2	15	11	5	4	30	FPM=V	-10 +140
E171A...20///...		2	0.09	0	25	15							
E171A...25///...		2.5	0.14	0	16	8							
E171A...31///...		3.1	0.19	0	8	4							

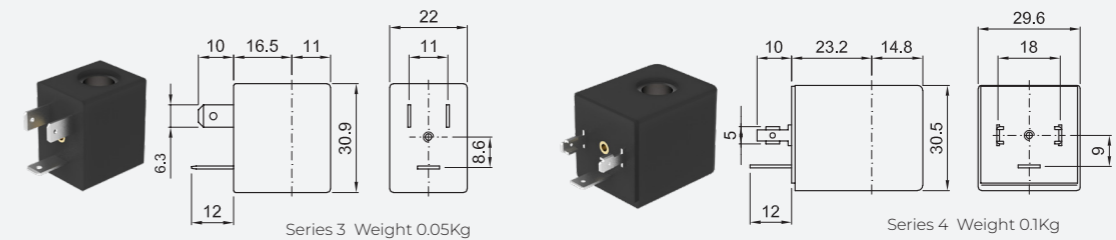
① Seal  
② Coil  
③ The maximum allowable pressure PS for steam 2,5bar (gauge pressure)

Example: E171AB20///30B NBR seal  
Coil 24V 50/60Hz

## OPTIONS

Stainless steel armature tube
Series 7 explosion proof coil according to ATEX - EExmII
Versions for use with industrial oxygen
UL certified coils

COILS ②	ALTERNATING CURRENT 50/60Hz (V)						DIRECT CURRENT (V)			ELECTRICAL CONNECTION	CONNECTORS							
	12	24	48	110	120	220 230	240	380	12			24	48					
Series 3 Width 22	30A	30B	U35B	30C	30D	U35D	30E	V32E	30F	U35F	30G	300	U350	30I	U35I	30J	DIN 46244	PG9 CODE 10348000
Series 4 Width 30	40A	40B	-	40C	40D	-	40E	-	40F	-	40G	400	U450	40I	U45I	40J	DIN 43650A	PG9 CODE 10349000



## DESCRIPTION

Class F insulation  
Voltage tolerance  
AC +15% -10%  
DC ± 10%  
Protection class  
IP65 with connector fitted  
IP00 without connector  
Continuous service ED100%

## OPTIONS

Class H insulation  
Cable attached  
Special coil voltage  
Special coil powers  
UL certified coils  
(for coil details see section 8)