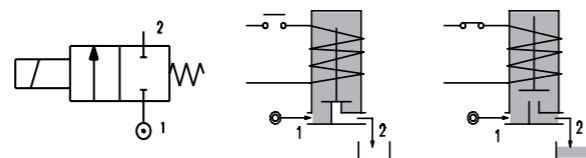
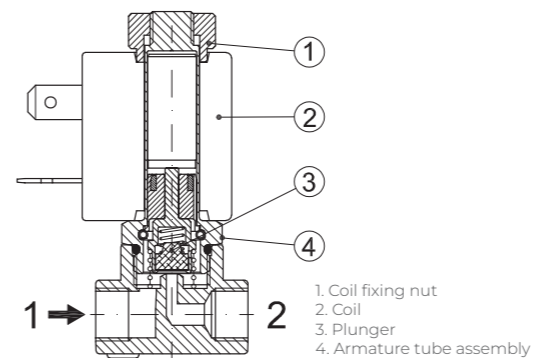


# SERIES 205

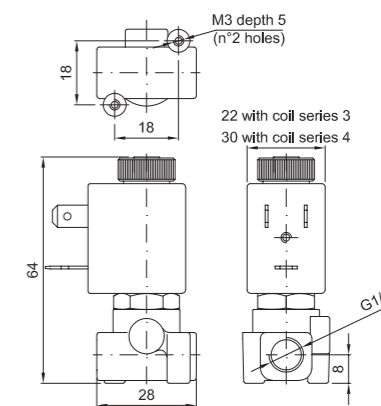
Solenoid valve 2 way normally open direct acting poppet type



## SPARE PARTS LIST



## OVERALL DIMENSION



## CONSTRUCTION

BODY	Brass
ARMATURE TUBE	Brass
PLUNGER AND CORE	AISI 430FR
SPRINGS	AISI 302
SEAL MATERIAL	NBR - FPM - EPDM

## FEATURES

Maximum allowable pressure PS 50bar <sup>④</sup>
Maximum fluid viscosity 25cSt (mm <sup>2</sup> /s)
Ambient temperature: from -10°C to +80°C according to the coil
Universal mounting position

CODE ① ②	CONNECTION G ISO 228	ORIFICE [mm]	KV m <sup>3</sup> /h	DIFFERENTIAL PRESSURE [bar]		NOMINAL POWER			COIL		SEAL ①	TEMP. RANGE [°C]	
				MIN.	MAX.	AC	VA	DC	SERIES	WIDTH			
													AC
E205A...12///...	1/8"	1.2	0.04	0	19	19	12	8	6.5	3	22	NBR=B EPDM=E FPM=V	-10 +90 -10 +140 -10 +140
E205A...15///...		1.5	0.06	0	14	14							
E205A...20///...		2	0.09	0	8	8							
E205A...25///...		2.5	0.14	0	4.5	4.5							
E205A...31///...		3.1	0.19	0	2.5	2.5							

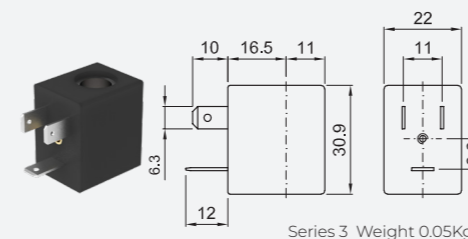
Example: E205AB20///30B NBR seal  
Coil 24V 50/60Hz

- ① Seal
- ② Coil
- ③ Direct current (DC) series 3 coil available only without UL certification
- ④ The maximum allowable pressure PS for steam is 2.5bar (gauge pressure)

## OPTIONS

Stainless steel armature tube
Electroless nickel plating
Series 7 explosion proof coil according to ATEX - EExmII
UL certified coils

COILS ②	ALTERNATING CURRENT 50/60Hz (V)								DIRECT CURRENT (V)			ELECTRICAL CONNECTION	CONNECTORS					
	12	24	48	110	120	220 230	240	380	12	24	48							
Series 3 Width 22	30A	30B	U35B UL	30C	30D	U35D UL	30E	V32E UL	30F	U35F UL	30G	300	U350 UL	301	U351 UL	302	DIN 46244	PG9 CODE 10348000



**DESCRIPTION**  
Class F insulation  
Voltage tolerance  
AC ±15% -10%  
DC ±10%  
Protection class  
IP65 with connector fitted  
IP00 without connector  
Continuous service ED100%

**OPTIONS**  
Class H insulation  
Cable attached  
Special coil voltage  
Special coil powers  
UL certified coils  
(for coil details see section 8)