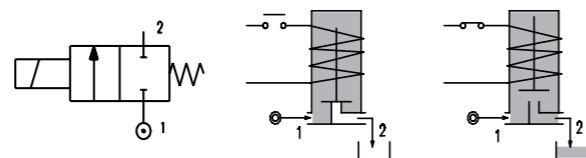
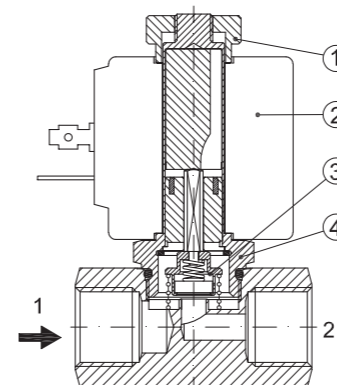


# SERIES 206

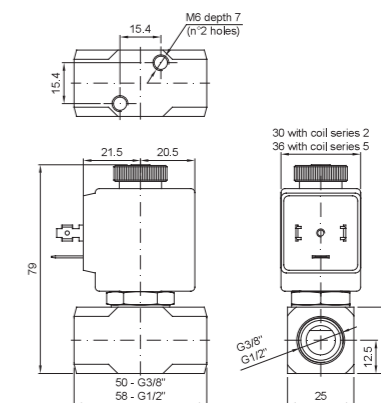
Solenoid valve 2 way normally open direct acting poppet type



## SPARE PARTS LIST



## OVERALL DIMENSION



### CONSTRUCTION

<b>BODY</b>	Brass
<b>ARMATURE TUBE</b>	Brass
<b>PLUNGER AND CORE</b>	AISI 430FR
<b>SPRINGS</b>	AISI 302
<b>SEAL MATERIAL</b>	NBR - FPM - EPDM

### FEATURES

Maximum allowable pressure PS 50bar
Maximum fluid viscosity 25cSt (mm <sup>2</sup> /s)
Ambient temperature: from -10°C to +80°C according to the coil
Universal mounting position

ON REQUEST: Versions for use with fluid temperature at -40°C Manual override

CODE ①②③	CONNECTION G ISO 228	ORIFICE [mm]	KV m <sup>3</sup> /h	DIFFERENTIAL PRESSURE [bar]		NOMINAL POWER			COIL		SEAL ②	TEMP. RANGE [°C]								
				MIN.	MAX.	AC	VA	DC	SERIES	WIDTH										
													AC	DC	INRUSH	HOLDING	WATT			
E206...15///...	3/8"	1.5	0.07	0	23	-	20	15	-	2	30	NBR=B	-10 +90							
E206...20///...		2	0.1	0	17	-														
E206...25///...		2.5	0.15	0	12	-														
E206...30///...		3	0.25	0	9	-														
E206...35///...		3.5	0.32	0	7	-														
E206...40///...		4	0.36	0	5.5	-														
E206...45///...	4.5	0.41	0	4.5	-	EPDM=E	-	-	-	-	-	-10 +140								
E206...52///...	5.2	0.47	0	3	-															
D206...15///...	3/8"	1.5	0.07	0	-								18	-	-	10	2	30	FPM=V	-10 +140
D206...20///...		2	0.1	0	-								11							
D206...25///...		2.5	0.15	0	-								7							
D206...30/3/...		3	0.25	0	-								6.5							
D206...35/3/...		3.5	0.32	0	-	4														
D206...40/3/...		4	0.36	0	-	3.5														
D206...45/3/...	4.5	0.41	0	-	3	-	-	-	-	-	-	-								
D206...52/3/...	5.2	0.47	0	-	2.2															

- ① Connection: C=3/8", D=1/2"
- ② Seal
- ③ Coil
- ④ The maximum allowable pressure PS for steam is 2.5bar (gauge pressure)

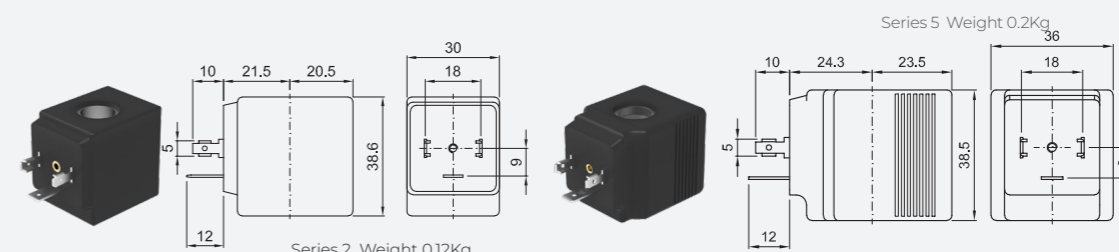
Example: E206CB45///20B 3/8" connection, NBR seal  
Coil 24V 50/60Hz

CODE	ORIFICE [mm]	KV m <sup>3</sup> /h	DIFF. PRESS. [bar]	NOM. POWER	COIL	SEAL	TEMP. RANGE [°C]
E206...15///...	1.5	0.07	0	23	23		
E206...20///...	2	0.1	0	17	17		
E206...25///...	2.5	0.15	0	12	12		
E206...30///...	3	0.25	0	9	9		
E206...35///...	3.5	0.32	0	7	7	40	30
E206...40///...	4	0.36	0	5.5	5.5		
E206...45///...	4.5	0.41	0	4.5	4.5		
E206...52///...	5.2	0.47	0	3	3		
E206...64///...	6.4	0.64	0	3.5	3.5		

### OPTIONS

Stainless steel armature tube
Electroless nickel plating
UL certified coils

COILS ③	ALTERNATING CURRENT 50/60Hz (V)								DIRECT CURRENT (V)			ELECTRICAL CONNECTION	CONNECTORS				
	12	24	48	110	120	220 230	240	380	12	24	48						
Series 2 Width 30	20A	20B	U25B	20C	20D	U25D	20E	20F	U25F	20G	200	U250	201	U251	202	DIN 43650A	PG9 CODE 10349000
Series 5 Width 36	52A	52B	U55B	52C	52D	U55D	52E	52F	U55F	52G	520	U550	521	U551	522	DIN 43650A	PG9 CODE 10349001



### DESCRIPTION

Insulation class  
Series 2 =F Series 5=H  
Voltage tolerance  
AC +15% -10%  
DC ± 10%  
Protection class  
IP65 with connector fitted  
IP00 without connector

### OPTIONS

Class H insulation (series 2)  
Cable attached  
Special coil voltage  
Special coil powers  
UL certified coils  
(for coil details see section 8)