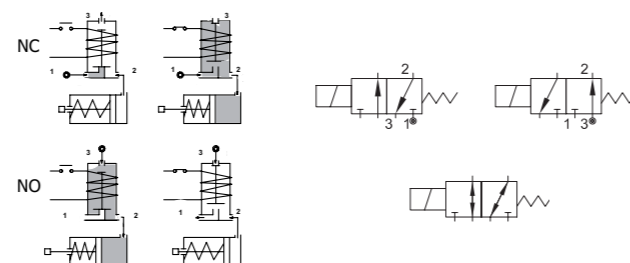
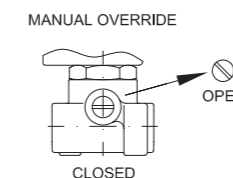
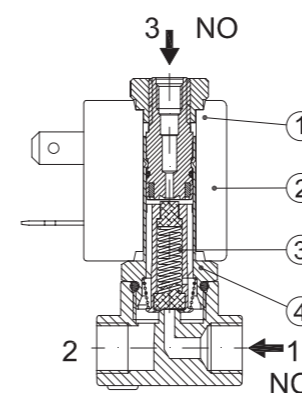


# SERIES 305

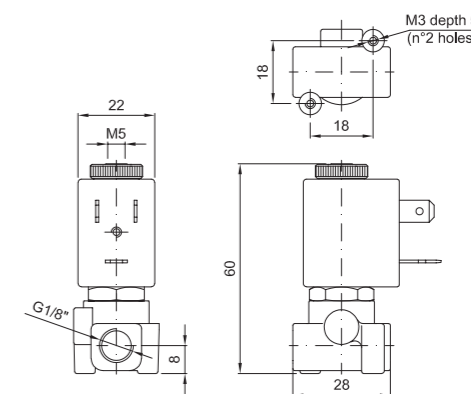
Solenoid valve 3 way direct acting poppet type



## SPARE PARTS LIST



## OVERALL DIMENSION



## CONSTRUCTION

<b>BODY</b>	Brass
<b>ARMATURE TUBE</b>	Brass
<b>PLUNGER AND CORE</b>	AISI 430FR
<b>SPRINGS</b>	AISI 302
<b>SEAL MATERIAL</b>	NBR - FPM - EPDM

## FEATURES

Maximum allowable pressure PS 50bar <sup>3</sup>
Maximum fluid viscosity 25cSt (mm <sup>2</sup> /s)
Ambient temperature: from -10°C to +80°C according to the coil
Universal mounting position

**ON REQUEST:** Versions for use with fluid temperature at -40°C

CODE ① ②	CONNECTION G ISO 228	ORIFICE [mm]		KV m <sup>3</sup> /h	DIFFERENTIAL PRESSURE [bar]		NOMINAL POWER			COIL		SEAL ③	TEMP. RANGE [°C]	
		1 → 2	2 → 3		MIN.	MAX.	AC	VA	DC	SERIES	WIDTH			
					AC	DC	INRUSH	HOLDING	WATT					
<b>NC Normally closed</b>														
E305A...12///...	1/8"	1.2	1.5	0.04	0	15	15					NBR=B	-10 +90	
E305A...15///...		1.5	1.5	0.06	0	10	10	12	8	6.5	3			22
E305A...20///...		2	1.7	0.09	0	6	6							
<b>NO Normally open</b>														
E305A...15/S/...	1/8"	1.5	1.5	0.06	0	10	10	12	8	6.5	3	22	EPDM=E	-10 +140
E305A...17/S/...		1.7	2	0.07	0	6	6							
<b>U Universal</b>														
E305A...15/G/...	1/8"	1.5	1.5	0.06	0	6	6	12	8	6.5	3	22		

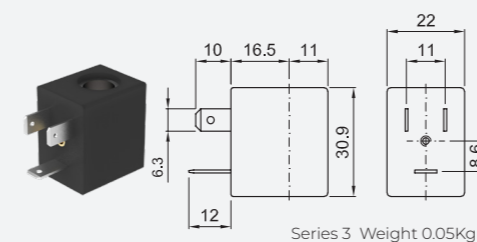
① Seal  
 ② Coil E305AB15/S/301 NBR seal  
 ③ The maximum allowable pressure PS for steam 2,5bar (gauge pressure)

Example: E305AV15///30B FPM seal Coil 24V 50/60Hz, NC  
 Coil 24V DC, NO

## OPTIONS

Stainless steel armature tube
Manual override
Electroless nickel plating
Series 7 explosion proof coil according to ATEX - EExmII
Exhaust port with hosetail connection
UL certified coils

COILS ②	ALTERNATING CURRENT 50/60Hz (V)								DIRECT CURRENT (V)			ELECTRICAL CONNECTION	CONNECTORS					
	12	24	48	110	120	220 230	240	380	12	24	48							
Series 3 Width 22	30A	30B	U35B	30C	30D	U35D	30E	V32E	30F	U35F	30G	300	U350	301	U351	302	DIN 46244	PG9 CODE 10348000



**DESCRIPTION**  
 Class F insulation  
 Voltage tolerance  
 AC +15% -10%  
 DC ± 10%  
 Protection class  
 IP65 with connector fitted  
 IP00 without connector  
 Continuous service ED100%

**OPTIONS**  
 Class H insulation  
 Cable attached  
 Special coil voltage  
 Special coil powers  
 UL certified coils  
 (for coil details see section 8)