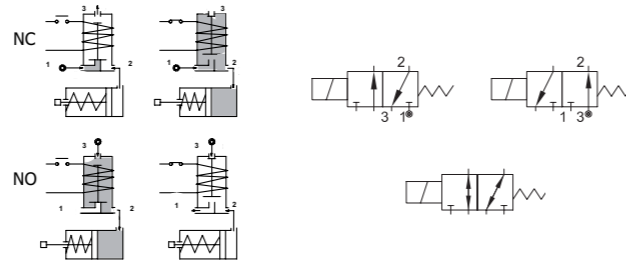
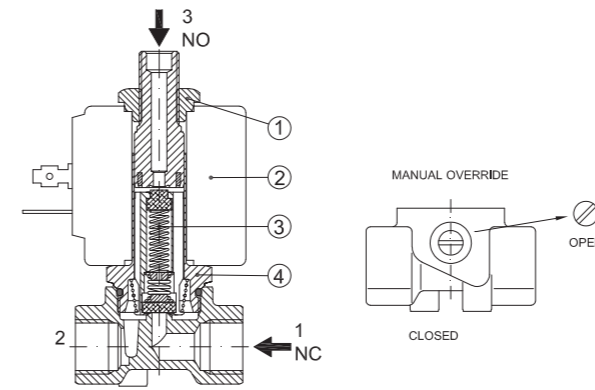


SERIES 306

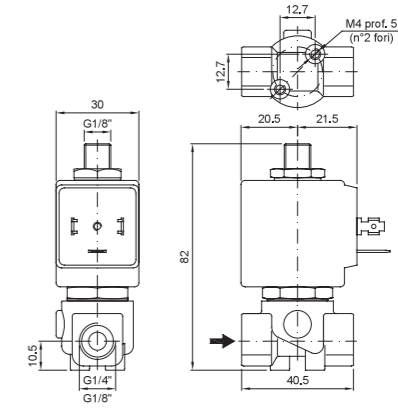
Solenoid valve 3 way direct acting poppet type



SPARE PARTS LIST



OVERALL DIMENSION



CONSTRUCTION

BODY	Brass
ARMATURE TUBE	Brass
PLUNGER AND CORE	AISI 430FR
SPRINGS	AISI 302
SEAL MATERIAL	NBR - FPM - EPDM

FEATURES

Maximum allowable pressure PS 80bar*
Maximum fluid viscosity 25cSt (mm2/s)
Ambient temperature: from -10°C to +80°C according to the coil
Universal mounting position

ON REQUEST: Versions for use with fluid temperature at -40°C

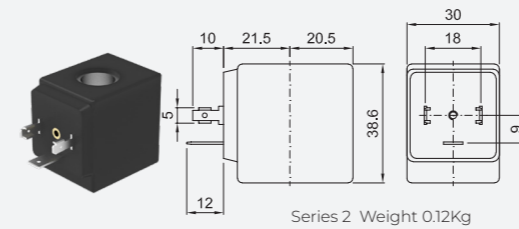
CODE ①②③	CONNECTION G ISO 228	ORIFICE [mm]		KV m3/h	DIFFERENTIAL PRESSURE [bar]		NOMINAL POWER			COIL		SEAL ④	TEMP. RANGE [°C]	
		1 → 2	2 → 3		MIN.	MAX.	AC	VA	DC	SERIES	WIDTH			
					AC	DC	INRUSH	HOLDING	WATT					
NC Normally closed														
E306... ..15///...	1/8" 1/4"	1.5	2.4	0.07	0	20	20					NBR=B	-10 +90	
E306... ..20///...		2	2.4	0.11	0	13	13	20	15	10	2			30
E306... ..25///...		2.5	2.4	0.16	0	10	10							
NO Normally open														
E306... ..25/S/...	1/8" 1/4"	2.4	2.5	0.16	0	9	9	20	15	10	2	30	EPDM=E	-10 +140
E306... ..29/S/...		2.9	3	0.20	0	6.5	6.5							
U Universal														
E306... ..25/G/...	1/8" 1/4"	2.5	2.4	0.16	0	5	4	20	15	10	2	30	FPM=V	-10 +140

① Connection: A=1/8", B=1/4"
 ② Seal
 ③ Coil E306BB25/S/201 G1/4" NBR seal
 ④ The maximum allowable pressure PS for steam 2,5bar (gauge pressure)
 Example: E306AV15///20B G1/8" FPM seal Coil 24V 50/60Hz NC
 Coil 24V DC NO

OPTIONS

Manual override
Electroless nickel plating
Stainless steel seat
UL certified coils

COILS ③	ALTERNATING CURRENT 50/60Hz (V)								DIRECT CURRENT (V)			ELECTRICAL CONNECTION	CONNECTORS				
	12	24	48	110	120	220 230	240	380	12	24	48						
Series 2 Width 30	20A	20B	U25B	20C	20D	U25D	20E	20F	U25F	20G	200	U250	201	U251	202	DIN 43650A	PG9 CODE 10349000



DESCRIPTION
 Class F insulation
 Voltage tolerance
 AC +15% -10%
 DC ± 10%
 Protection class
 IP65 with connector fitted
 IP00 without connector
 Continuous service ED100%

OPTIONS
 Class H insulation
 Cable attached
 Special coil voltage
 Special coil powers
 UL certified coils
 (for coil details see section 8)