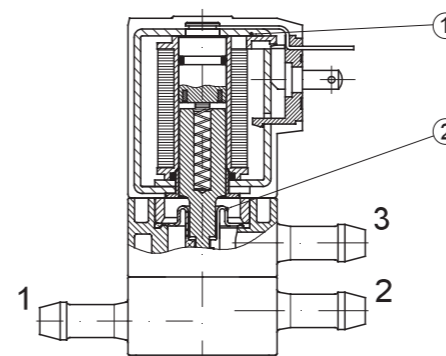


SERIES 330

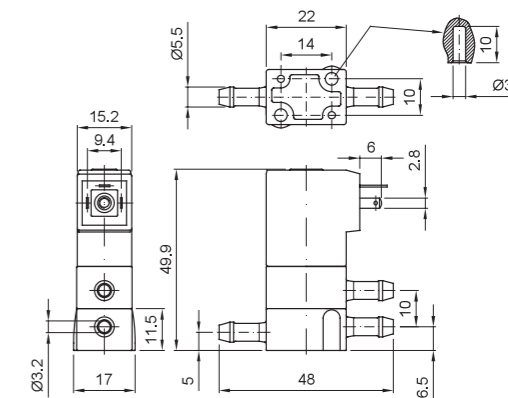
Solenoid valve 3 way direct acting with dry armature. No metal parts in contact with the media.



SPARE PARTS LIST



OVERALL DIMENSION



CONSTRUCTION

BODY	Acetal copolymer
SEAL MATERIAL	NBR

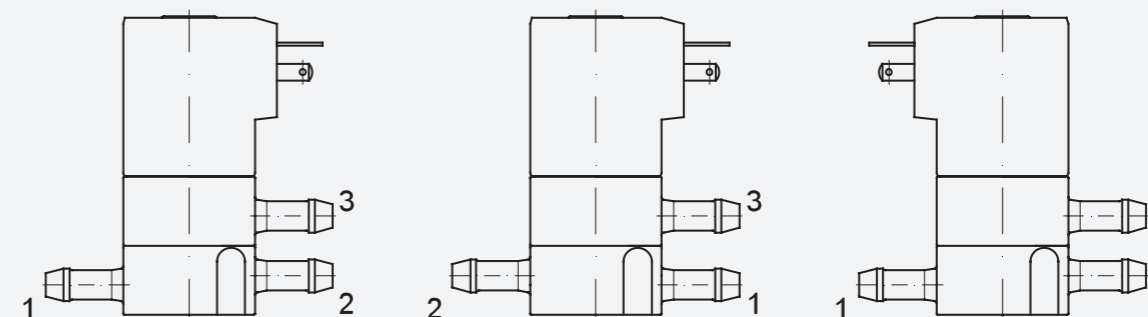
FEATURES

Maximum allowable pressure PS 0.5bar
Maximum fluid viscosity 25cSt (mm ² /s)
Ambient temperature -10°C +45°C
Maximum fluid temperature +50°C
Universal mounting position

CODE	HOSETAIL CONNECTION	ORIFICE [mm]	KV m ³ /h	DIFFERENTIAL PRESSURE [bar]		NOMINAL POWER			VOLTAGE		CONNECTOR
				MIN.	MAX.	AC INRUSH	VA HOLDING	DC WATT	AC	DC	
E330PB32.../106620	Ø5.5	3.2	0.2	0	0.4	6.5	4.5	-	230	-	PG7 10348040
D330PB32.../111140	Ø5.5	3.2	0.2	0	0.4	-	-	4	-	12	
D330PB32.../111150	Ø5.5	3.2	0.2	0	0.4	-	-	4	-	24	

ELECTRICAL OPERATING FEATURES

Duty cycle ED100%
Insulation class F
Voltage tolerance ±5%
Protection class IP65 with connectore fitted



code ///
3/2 NC

code /D/
DIVERTING

code /R/

① Configuration

Example: D330PB32///111140 3/2 NC Coil 12V DC
D330PB32/D/111150 Diverting Coil 24V DC