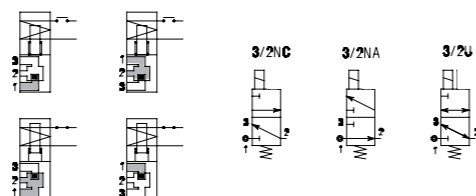


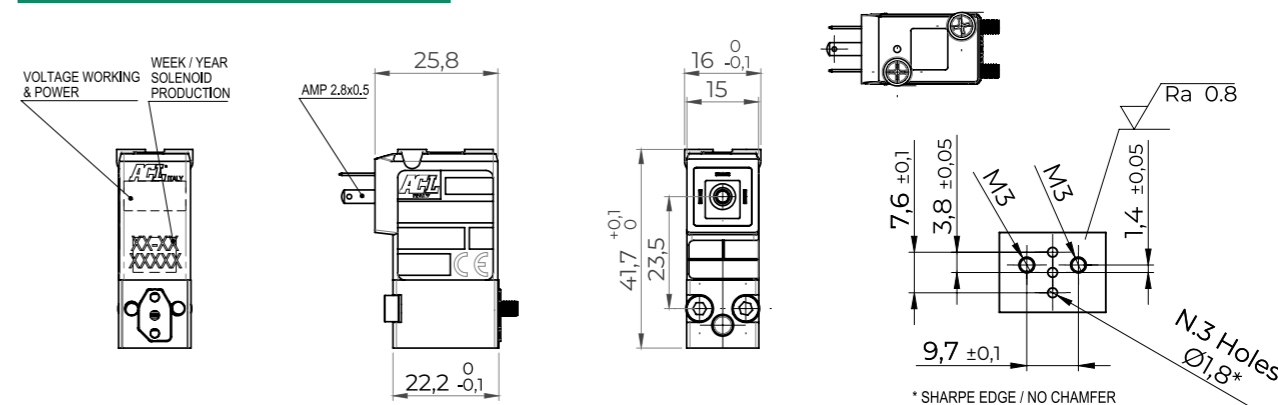
SERIES 340

Family of valves including several specialties dedicated to railway high performance applications.
Valves certified with CAT 2 CEI_EN_61373 available on request.

Solenoid valve 3 way direct acting poppet type.



OVERALL DIMENSION



CONSTRUCTION

BODY	Acetal copolymer
INTERNAL PARTS	Acetal copolymer - Stainless steel
SEAL MATERIAL	NBR+FPM - NBR+Silicone

FEATURES

Fixing method: M3 screws max torque 0,5Nm
Universal mounting position
Fluid temperature: +50°C max
Ambient temperature: -15°C +50°C
Fluid: Air, neutral gases
Response time: 10-15ms
Manual override: Enclosed bi-stable function

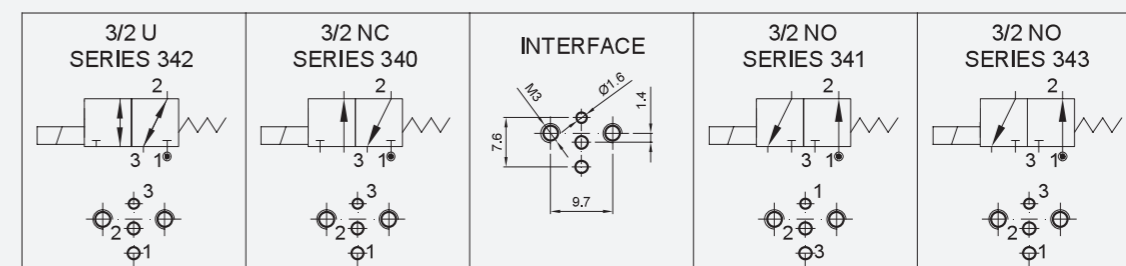
CODE	CONNECTION	ORIFICE [mm]		KV m ³ /h	DIFFERENTIAL PRESSURE [bar]		NOMINAL POWER			SEAL	
		1+2	2+3		MIN	MAX	AC INRUSH	VA HOLDING	DC WATT		
NC NORMALLY CLOSED											
D340X...08	FLANGE	0,8	0,9	0,02	0	10	3,6	2,5	2,5	NBR + FPM=B NBR + SILICO-NE=S	
D340X...12		1,2	1,3	0,035	0	6	3,6	2,5	2,5		
NO NORMALLY OPEN											
D341X...09	FLANGE	0,9	0,8	0,02	0	10	3,6	2,5	2,5		
D341X...13		1,3	1,2	0,035	0	6	3,6	2,5	2,5		
U UNIVERSAL											
D342X...08	FLANGE	0,8	0,9	0,02	0	10	3,6	2,5	2,5		
D342X...12		1,2	1,3	0,035	0	6	3,6	2,5	2,5		
NO NORMALLY OPEN											
D343X...09	FLANGE	0,9	1,2	0,02	0	10	3,6	2,5	2,5		
D343X...13		1,3	1,2	0,035	0	6	3,6	2,5	2,5		

DESCRIPTION
Class F insulation
Voltage tolerance ± 10%
Protection class:
IP65 with connector fitted
IP00 without connector
Continuous service ED100%

OPTIONS
Cable attached
Special coil voltage
Special coil powers

COILS	DIRECT CURRENT (V)						ELECTRICAL CONNECTION
	SERIES	12	24	32	48	72	
15mm	11563	11561	14932	13416	14941	14292	AMP 2,8x0,5

DUTY CYCLE	ED100%
INSULATION CLASS	F (+155°C)
VOLTAGE TOLERANCE	±10%
PROTECTION CLASS	Cables IP65 Fast-on IP00, with connector fitted IP65
ELECTRICAL CONNECTION	AMP 2,8x0,5 Cables (on request) DIN 43650C (on request)



TYPE NUMBER COMPOSITION

