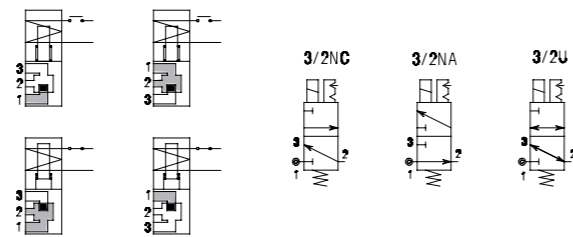
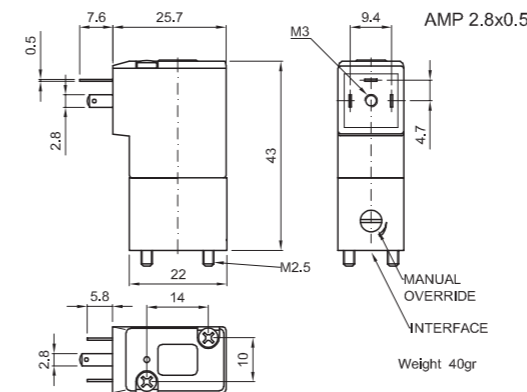


SERIES 345

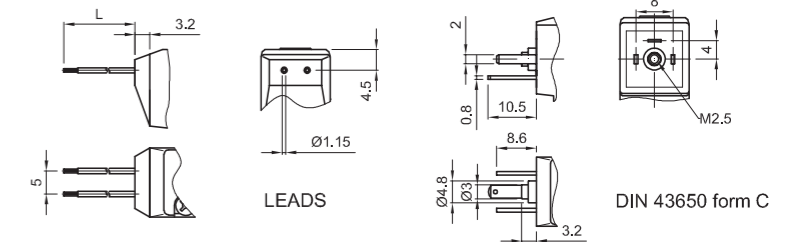
Solenoid valve 3 way direct acting poppet type
Flange fixing



SPARE PARTS LIST



OVERALL DIMENSION



CONSTRUCTION

BODY	Acetal copolymer
INTERNAL PARTS	Acetal copolymer - Stainless steel
SEAL MATERIAL	NBR

FEATURES

Fixing method: M2.5 screws max torque 0,5Nm
Universal mounting position
Fluid temperature: +50°C max
Ambient temperature: -15°C +50°C
Fluid: Air, neutral gases
Response time: 10-15ms
Manual override: Enclosed bi-stable function

CODE	CONNECTION	ORIFICE [mm]		KV m ³ /h	DIFFERENTIAL PRESSURE [bar]		NOMINAL POWER			SEAL	
		1+2	2+3		MIN	MAX	AC INRUSH	VA HOLDING	DC WATT		
NC NORMALLY CLOSED											
D345X...08	FLANGE	0,8	0,9	0,02	0	10	3,6	2,5	2,5	NBR + FPM=B NBR + SILICO-NE=S	
D345X...12		1,2	1,3	0,035	0	6	3,6	2,5	2,5		
NO NORMALLY OPEN											
D346X...09	FLANGE	0,9	0,8	0,02	0	10	3,6	2,5	2,5		
D346X...13		1,3	1,2	0,035	0	6	3,6	2,5	2,5		
U UNIVERSAL											
D347X...08	FLANGE	0,8	0,9	0,02	0	10	3,6	2,5	2,5		
D347X...12		1,2	1,3	0,035	0	6	3,6	2,5	2,5		

COILS	DIRECT CURRENT (V)						ELECTRICAL CONNECTION
SERIES	12	24	32	48	72	110	
15mm	11563	11561	14932	13416	14941	14292	AMP 2.8x0.5

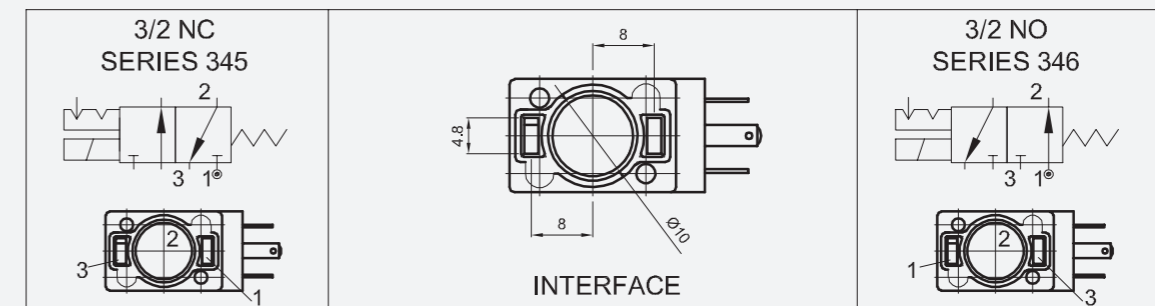
DESCRIPTION

Class F insulation
Voltage tolerance ±10%
Protection class:
IP65 with connector fitted
IP00 without connector
Continuous service ED100%

OPTIONS

Cable attached
Special coil voltage
Special coil powers

DUTY CYCLE	ED100%
INSULATION CLASS	F (+155°C)
VOLTAGE TOLERANCE	±10%
PROTECTION CLASS	Cables IP65 Fast-on IP00, with connector fitted IP65
ELECTRICAL CONNECTION	Cables (L=300mm) AMP 2.8x0.5 DIN 43650C



TYPE NUMBER COMPOSITION

