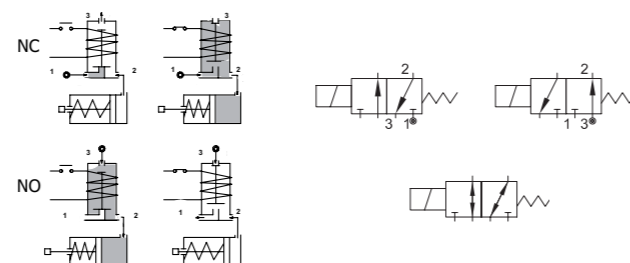
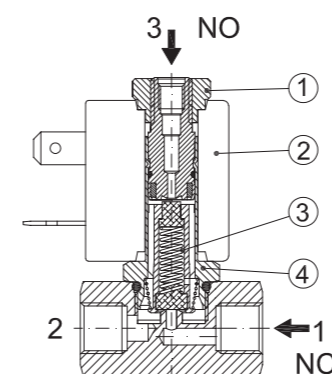


SERIES 371

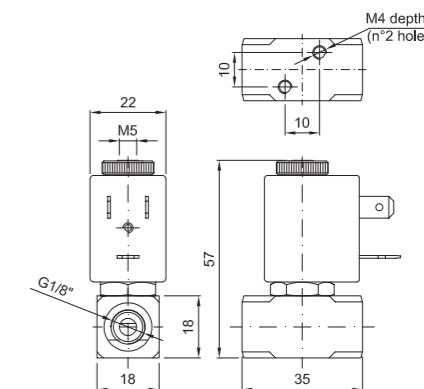
Solenoid valve 3 way in stainless steel AISI 316 direct acting poppet type



SPARE PARTS LIST



OVERALL DIMENSION



CONSTRUCTION

BODY	AISI 316
ARMATURE TUBE	AISI 316
PLUNGER AND CORE	AISI 430FR
SHADING RING	Silver
SPRINGS	AISI 316
SEAL MATERIAL	NBR - FPM - EPDM

FEATURES

Maximum allowable pressure PS 50bar
Maximum fluid viscosity 25cSt (mm2/s)
Ambient temperature: from -10°C to +80°C according to the coil
Universal mounting position

ON REQUEST: Versions for use with fluid temperature at -40°C

CODE ① ②	CONNECTION G ISO 228	ORIFICE [mm]		KV m3/h	DIFFERENTIAL PRESSURE [bar]			NOMINAL POWER			COIL		SEAL ③	TEMP. RANGE [°C]
		1 → 2	2 → 3		MIN.	MAX.		AC	VA	DC	SERIES	WIDTH		
					AC	DC	INRUSH	HOLDING	WATT					
NC Normally closed														
E371A...12///...		1.2	1.5	0.04	0	15	15							
E371A...15///...	1/8"	1.5	1.5	0.06	0	10	10	12	8	6.5	3	22	NBR=B	-10 +90
E371A...20///...		2	1.5	0.09	0	6	6						EPDM=E	-10 +140
NO Normally open														
E371A...15/S/...	1/8"	1.5	1.5	0.06	0	10	10	12	8	6.5	3	22	FPM=V	-10 +140
U Universal														
E371A...15/G/...	1/8"	1.5	1.5	0.06	0	6	6	12	8	6.5	3	22		

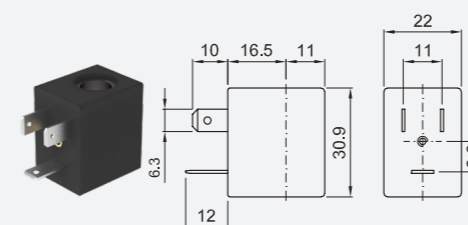
① Seal
 ② Coil
 ③ The maximum allowable pressure PS for steam 2,5bar (gauge pressure)

Example: E371AV15///30B FPM seal Coil 24V 50/60Hz NC
 E371AB15/S/301 NBR seal Coil 24V DC NA

OPTIONS

- Exhaust port with hosetail connection
- Series 7 explosion proof coil according to ATEX - EExmII
- UL certified coils

COILS ②	ALTERNATING CURRENT 50/60Hz (V)								DIRECT CURRENT (V)			ELECTRICAL CONNECTION	CONNECTORS					
	12	24	48	110	120	220 230	240	380	12	24	48							
Series 3 Width 22	30A	30B	U35B UL	30C	30D	U35D UL	30E	V32E UL	30F	U35F UL	30G	300	U350 UL	301	U351 UL	302	DIN 46244	PG9 CODE 10348000



DESCRIPTION
 Class F insulation
 Voltage tolerance
 AC +15% -10%
 DC ± 10%
 Protection class
 IP65 with connector fitted
 IP00 without connector
 Continuous service ED100%

OPTIONS
 Class H insulation
 Cable attached
 Special coil voltage
 Special coil powers
 UL certified coils
 (for coil details see section 8)