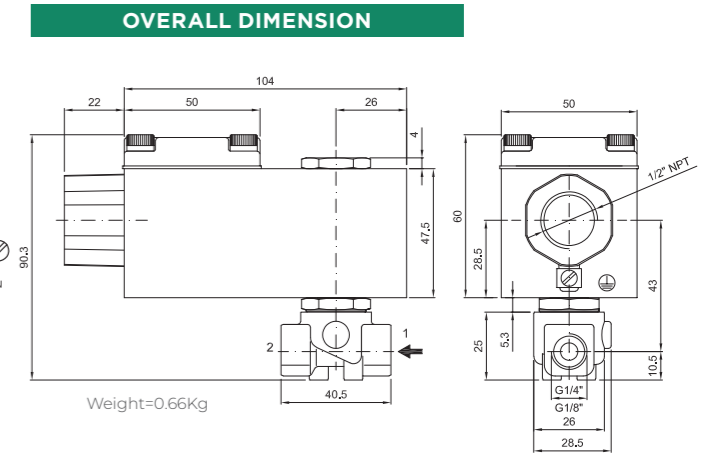
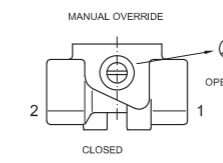
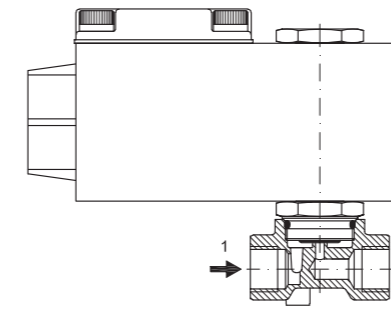
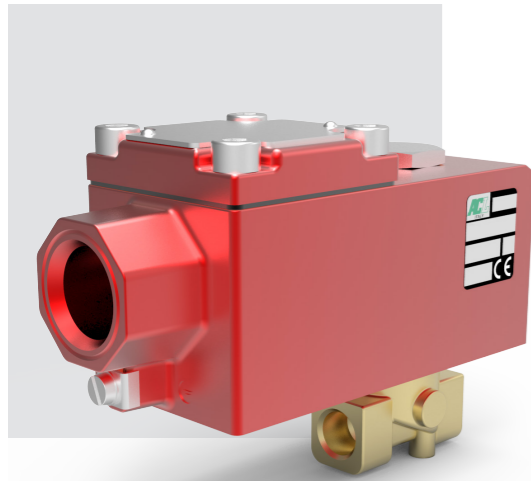
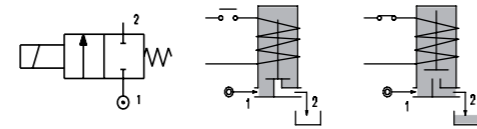


SERIES A106

Solenoid valve 2 way normally closed
direct acting poppet type.
With explosion proof coil certified for hazardous area:
ATEX II 2GDEx d IIC T6 or T5 or T4 Gb IP66
Ex tb IIIC T85°C or T100°C or T135°C Db IP66
CESI 03 ATEX 344/02
Tamb -40°C ÷ +35°C(T6) or +50°C(T5) or +60°C(T4)
(other certifications e.g.EAC, INMETRO, CCOE etc. on request)



Weight=0.66Kg

VALVE CONSTRUCTION

BODY	Brass
SEAL MATERIAL	NBR - FPM - EPDM

EXPLOSION PROOF COIL CONSTRUCTION

HOUSING	Red colour alloy (painted with epoxy powder)
ELECTRICAL CONNECTION	1/2" NPT (M20x1.5 on request)

FEATURES

Maximum allowable pressure PS 100bar
Maximum fluid viscosity 25cSt (mm2/s)
Ambient temperature: -40°C ÷ +35°C(T6), +50°C(T5), +60°C(T4)
Mounting position with vertical coil above

CODE ①② ③	CONNECTION G ISO 228	ORIFICE [mm]	KV m3/h	DIFFERENTIAL PRESSURE [bar]		NOMINAL POWER		COIL SERIES	SEAL	TEMP. RANGE [°C]	
				MIN.	MAX.	AC	DC				
											AC
A106...10/1/...	3/8" 1/2"	1	0.04	0	80	80	12 VA	8W	A6	NBR=B EPDM=E FPM=V	-10 +80
A106...12/1/...		1.2	0.05	0	60	60					
A106...15/1/...		1.5	0.07	0	30	26					
A106...20/1/...		2	0.1	0	22	20					
A106...25/1/...		2.5	0.15	0	16	14					
A106...30/1/...		3	0.25	0	15	10					
A106...35/1/...		3.5	0.32	0	10	8					
A106...40/1/...		4	0.36	0	8	5					
A106...45/1/...		4.5	0.41	0	6.5	3.5					
A106...52/1/...		5.2	0.47	0	4	1.8					
A106...64/1/...	6.4	0.64	0	3	1						

① Connection: A=1/8", B=1/4"
② Seal
③ Coil

OPTIONS

Stainless steel coil housing (see coil X6 section 8)
Manual override
Electroless nickel plating
Stainless steel seat insert (up to Ø4.5)

COILS ③	ALTERNATING CURRENT 50/60 HZ (V)				DIRECT CURRENT (V)			ELECTRICAL CONNECTION
	24	48	110	220 230	12	24	48	
Series A6	A6B	A6C	A6D	A6E	A60	A61	A62	1/2" NPT

DESCRIPTION
Voltage tolerance
AC +15% -10%
DC ± 10%
Protection class IP66
Continuous service ED100%