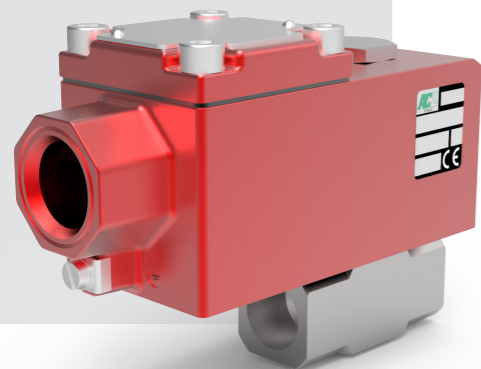
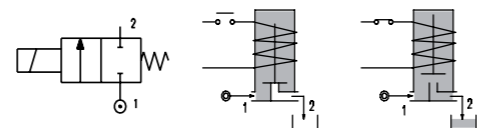
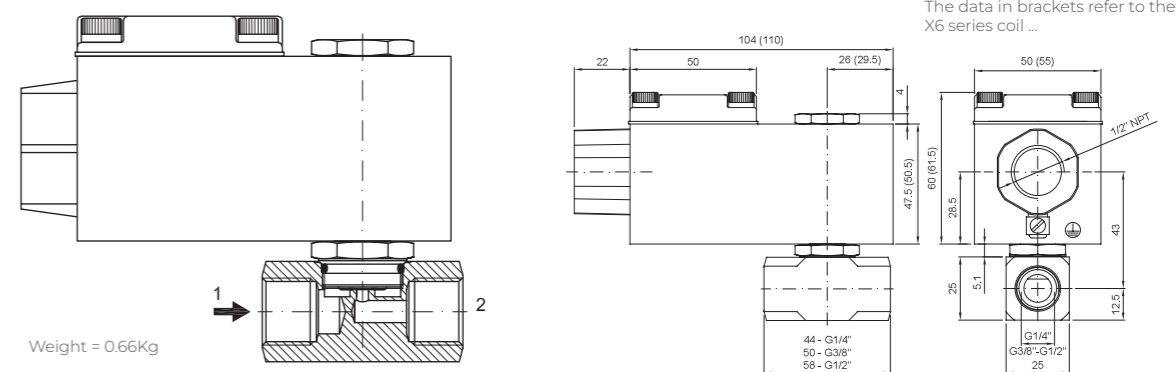


SERIES A110

Solenoid valve 2 way normally closed
direct acting poppet type.
With explosion proof coil certified for hazardous area:
ATEX II 2GDEx d IIC T6 or T5 or T4 Gb IP66
Ex tb IIIC T85°C or T100°C or T135°C Db IP66
CESI 03 ATEX 344/02
Tamb -40°C ÷ +35°C(T6) or +50°C(T5) or +60°C(T4)
(other certifications e.g.EAC, INMETRO, CCOE etc. on request)



OVERALL DIMENSION



BODY	AISI 303
SPRINGS	AISI 302
SEAL MATERIAL	NBR - FPM - EPDM
HOUSING	Red colour alloy (coil A6) Stainless steel (coil X6)
ELECTRICAL CONNECTION	1/2" NPT (M20X1.5 on request)
	Maximum allowable pressure PS 100bar
	Maximum fluid viscosity 25cSt (mm2/s)
	Ambient temperature: -10°C ÷ +35°C(T6), +50°C(T5), +60°C(T4)
	Mounting position with vertical coil above

COILS ③	ALTERNATING CURRENT 50/60 HZ (V)				DIRECT CURRENT (V)			ELECTRICAL CONNECTION
	24	48	110	220 230	12	24	48	
Series A6 alloy housing	A6B	A6C	A6D	A6E	A60	A61	A62	1/2" NPT
Series X6 s.steel housing	X6B	X6C	X6D	X6E	X60	X61	X62	

DESCRIPTION
Voltage tolerance
AC +15% -10%
DC ± 10%
Protection class IP66
Continuous service ED100%

CODE ①② ③	CONNECTION G ISO 228	ORIFICE [mm]	KV m3/h	DIFFERENTIAL PRESSURE [bar]			NOMINAL POWER		COIL SERIES	SEAL	TEMP. RANGE [°C]
				MIN.	MAX.		AC HOLDING	DC			
					AC	DC					
A110...10/1/...		1	0.04	0	80	80					
A110...12/1/...		1.2	0.05	0	60	60					
A110...15/1/...		1.5	0.07	0	30	26					
A110...20/1/...		2	0.1	0	22	20					
A110...25/1/...	1/4"	2.5	0.15	0	16	14	12 VA	8W	A6 or X6	NBR=B EPDM=E FPM=V	
A110...30/1/...	3/8"	3	0.25	0	15	10					
A110...35/1/...	1/2"	3.5	0.32	0	10	8					
A110...40/1/...		4	0.36	0	8	5					
A110...45/1/...		4.5	0.41	0	6.5	3.5					
A110...52/1/...		5.2	0.47	0	4	1.8					
A110...64/1/...		6.4	0.64	0	3.5	1					

Example: A110BV12/1/A6B - connections G1/4", FPM seal, 24V AC, alloy housing
A110BV12/1/X6B - connections G1/4", FPM seal, 24V AC, stainless steel housing

① Connection: B=1/4", C=3/8", D=1/2"
② Seal
③ Coil