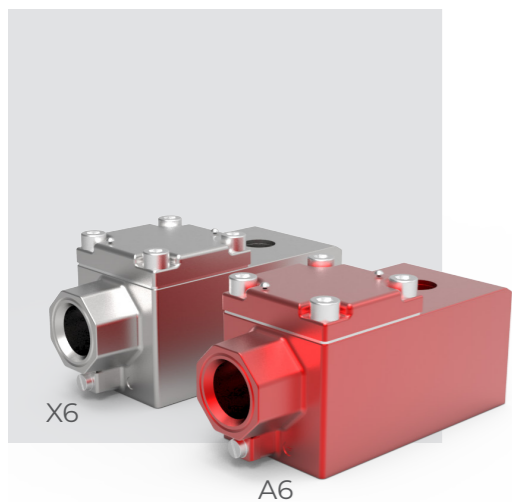
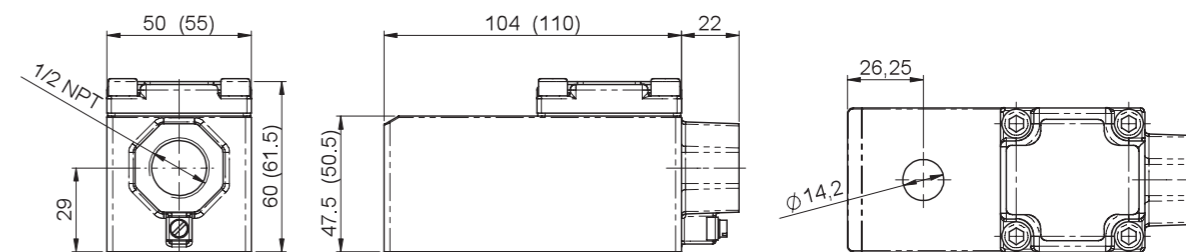


SERIES A6-X6

Explosion proof coil certified for hazardous area:
ATEX II 2GD Ex d IIC T6 or T5 or T4 Gb IP66
Ex tb IIIC T85°C or T100°C or T135°C Db IP66
CESI 03 ATEX 344/02
Tamb -40°C ÷ +35°C(T6) or +50°C(T5) or +60°C(T4)



OVERALL DIMENSION



CONSTRUCTION

HOUSING	Red colour alloy (series A6) Stainless steel (series X6)
ELECTRICAL CONNECTION	1/2" NPT (M20x1 on request)
AMBIENT TEMPERATURE	-40°C ÷ +35°C(T6), +50°C(T5), +60°C(T4)

FEATURES

Designed for extreme environmental condition
Integrated terminal box and horizontal cable entry
Surge suppressor provided
Dual gasket

OPTIONS

Certifications EAC, INMETRO, CCOE etc. on request
Special powers

CODE		NOMINAL VOLTAGE		POWER		VOLTAGE TOLERANCES	SERVICE ED
ALLOY	STAINLESS STEEL	ALTERNATING CURRENT 50/60Hz (V)	DIRECT CURRENT (V)	ALTERNATING CURRENT (HOLDING)	DIRECT CURRENT		
A6B	X6B	24	-	12 VA	8 W	±20%	100%
A6C	X6C	48	-				
A6D	X6D	110-120	-				
A6E	X6E	220-240	-				
A60	X60	-	12				
A61	X61	-	24				
A62	X62	-	48				