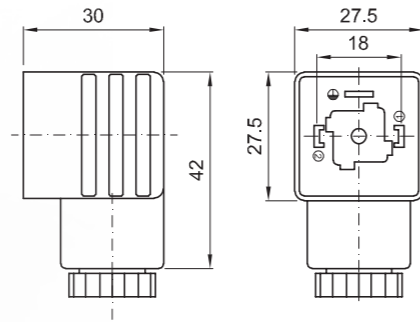


ACCESSORIES

CONNECTOR CODE 10349

DIN 43650 Form A connector



Weight 0.023Kg

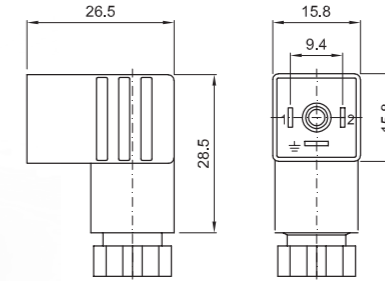
CONTACT DISTANCE	18mm
PROTECTION CLASS	IP65
WORKING TEMPERATURE	-40°C +90°C
FIXING METHOD	M3 central screw
GLAND SIZE	PG9 cable Ø6-8mm code 10349000 (n°2 poles+earth) PG11 cable Ø8-10mm code 10349001 (n°2 poles+earth)

ON REQUEST: PG9 cable Ø6-8mm code 10349060 (n°3 poles+earth)

ACCESSORIES

CONNECTOR CODE 10348040

AMP 2.8x0.5 connector

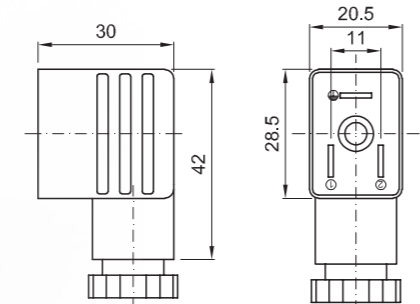


Weight 0.010Kg

CONTACT DISTANCE	9.4mm
PROTECTION CLASS	IP65
WORKING TEMPERATURE	-40°C +90°C
FIXING METHOD	M3 central screw
GLAND SIZE	PG7 cable Ø4-6mm (n°2 poles+earth)

CONNECTOR CODE 10348

DIN 46244 Form B (DIN 43650 Form B) connector

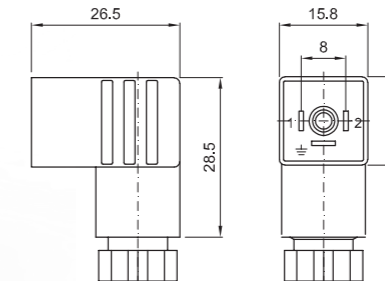


Weight 0.019Kg

CONTACT DISTANCE	11mm
PROTECTION CLASS	IP65
WORKING TEMPERATURE	-40°C +90°C
FIXING METHOD	M3 central screw
GLAND SIZE	PG9 cable Ø6-8mm code 10348000 (n°3 poles+earth)

CONNECTOR CODE 10348060

DIN 43650 Form C connector



Weight 0.010Kg

CONTACT DISTANCE	8mm
PROTECTION CLASS	IP65
WORKING TEMPERATURE	-40°C +90°C
FIXING METHOD	M2.5 central screw
GLAND SIZE	PG7 cable Ø4-6mm (n°2 poles+earth)