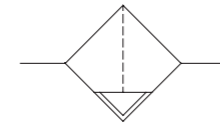
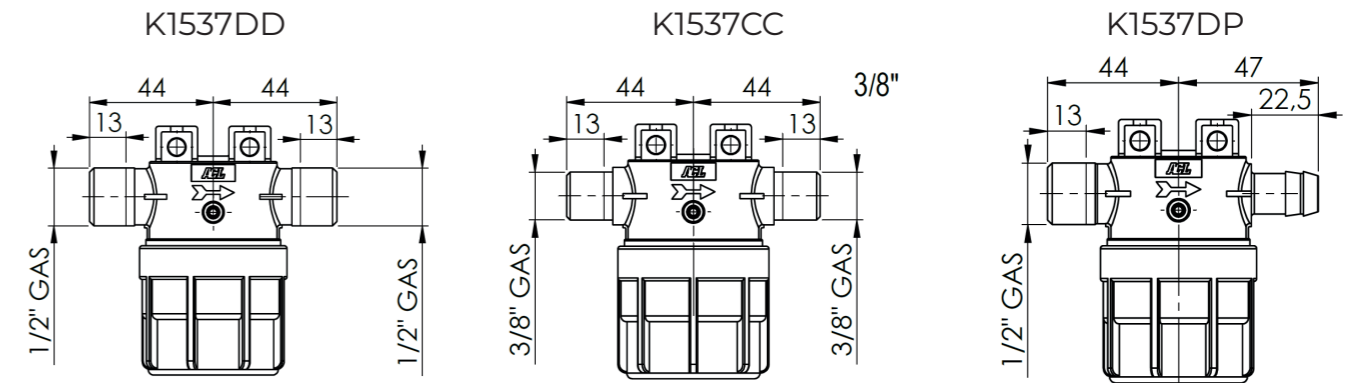


SERIES K1537

Plastic cup filter with stainless steel mesh.



OVERALL DIMENSION



PRESENTATION

Filtration grade 30 mesh
Filtration of impurity in mesh
Easy to clean from fluid contamination
Glass fiber reinforced Polyamide body option available
NPT thread on request
Universal mounting position

VALVE FEATURES

BODY	Glass fiber reinforced Polyamide
COVER LOW PRESSURE	Copolyester transparent
COVER HIGH PRESSURE	Glass fiber reinforced Polyamide
MAX PRESSURE STANDARD	6bar
MAX PRESSURE REINFORCED	12bar
SCREEN	AISI 304 (Wired or perforated mesh)
GASKET	FPM
FLUIDS	Water, Alcohol, Oils, Fuels, Steam, Natural gases or Liquids, Organic solvents, Acids and Lyes
AMBIENT TEMPERATURE	from -20°C to +80°C
FLUID TEMPERATURE	from -20°C to +140°C

USE

Suitable to filter air, steam, hot and cold water, slightly aggressive fluids, protection of downstream fluidic components

CODE	CONNECTION
K1537DD	G1/2"
K1537CC	G3/8"
K1537DP	G1/2" PORTAGOMMA
K1537PP	PORTAGOMMA