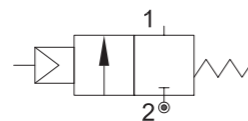
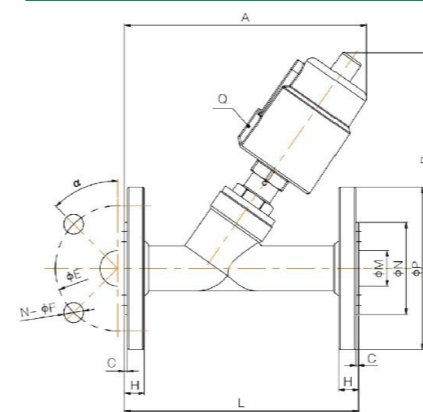


SERIES PF100

2 way normally closed angle seat valve pneumatically operated.
Inlet under seat. Flanged connections.



OVERALL DIMENSION



PRESENTATION

Easy to mount with flanged connection
Water hammer effect prevention
Protected visual position indicator
PTFE sealing pack
Maintenance free sealing pack
Normally open version available on request
Double acting version available on request
Pilot thread: 1/8" GAS
Universal mounting position

VALVE FEATURES

FLUID PRESSURE	Up to max 16bar
CONTROL PRESSURE	from 4bar (see table)
CONTROL FLUID	Neutral gas, Air
BODY MATERIAL	Stainless steel AISI 316
SEALING	PTFE
ACTUATOR MATERIAL	AISI 304
ACTUATOR SIZE	40mm, 50mm, 63mm, 90mm
FLUIDS	Water, Alcohol, Oils, Fuels, Steam, Natural gases or Liquids, Organic solvents, Acids and Lyes
FLUID VISCOSITY	Max 600cSt (mm2/s)
FLUID TEMPERATURE	-10°C to +180°C
AMBIENT TEMPERATURE	-10°C to +80°C
CONTROL TYPE	Normally closed, (on request Normally open, Double acting)

CONNECTION	Flanged acc. to DIN2576
-------------------	-------------------------

USE	Packaging, Drinks Filling Machinery, Textile printing, Pharmacy & Medical Equipment, Chemical industry, Foaming Equipment, Water/sewage Disposal
------------	--

CODE	ACTUATOR [mm]	DN [mm]	PILOT PRESSURE [bar]	MAX PRESSURE [bar]	Q [mm]	A [mm]	B [mm]	L [mm]	C [mm]	H [mm]	ØE [mm]	n°ØF [mm]	ØM [mm]	ØN [mm]	ØP [mm]	α
PF140DGW15/V	Ø40	DN15	4	0 - 13	G1/8	135	125	130	2	14	65	4-14	16	45	95	45°
PF150DGW15/V	Ø50		4.5	0 - 14		145	140									
PF150EGW20/V	Ø50	DN20	4.5	0 - 14	G1/8	165	140	150	2	14	75	4-14	19	56	105	45°
PF150FGW25/V	Ø50	DN25	4.5	0 - 8	G1/8	170	145									
PF163FGW25/V	Ø63		DN32	5	0 - 13	G1/8	190	175	180	2	16	100	4-18	31	78	140
PF163GGW32/V	Ø63	5		0 - 6	G1/8	190	188									
PF190GGW32/V	Ø90	DN40	6	0 - 16	G1/8	230	235	200	3	16	110	4-18	38	84	150	45°
PF163HGW40/V	Ø63		5	0 - 5	G1/8	206	190									
PF190HGW40/V	Ø90	DN50	6	0 - 16	G1/8	250	240	230	3	16	125	4-18	49	100	165	45°
PF163IGW50/V	Ø63		5	0 - 3	G1/8	235	195									
PF190IGW50/V	Ø90	DN65	6	0-16	G1/8	277	245	290	3	18	145	4-18	66	120	185	45°
PF190MGW65/V	Ø90		6	0 - 6	G1/8	330	280									
PF1125MGW65/V	Ø125	DN80	5.5	0 - 9	G1/4	375	330	310	3	20	160	8-18	78	135	200	22.5°
PF1125RGW80/V	Ø125		5.5	0 - 5	G1/4	380	355									
PF1125SGW100/V	Ø125	DN100	5.5	0 - 2.5	G1/4	420	395	350	3	20	180	8-18	96	155	215	22.5°